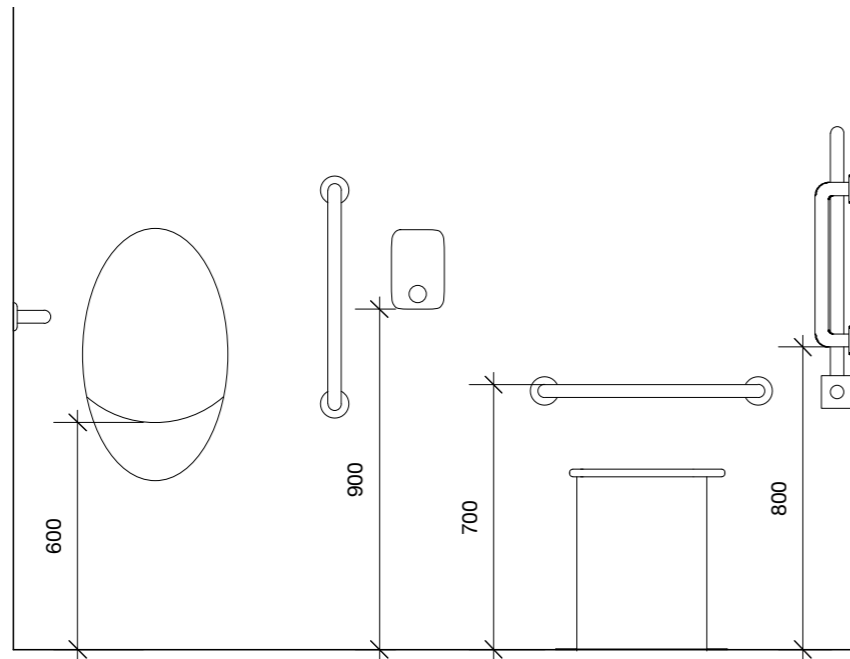


1 Floor plan
Scale: 1:20



2 Grab rails elevation
Scale: 1:20

NatSol the compost toilet specialists

Title: ZD DOC M layout
 Client: Internal
 Drg. No.
 Drawn: NJG
 Date: 15/11/19
 Rev:
 Scale: see drawing