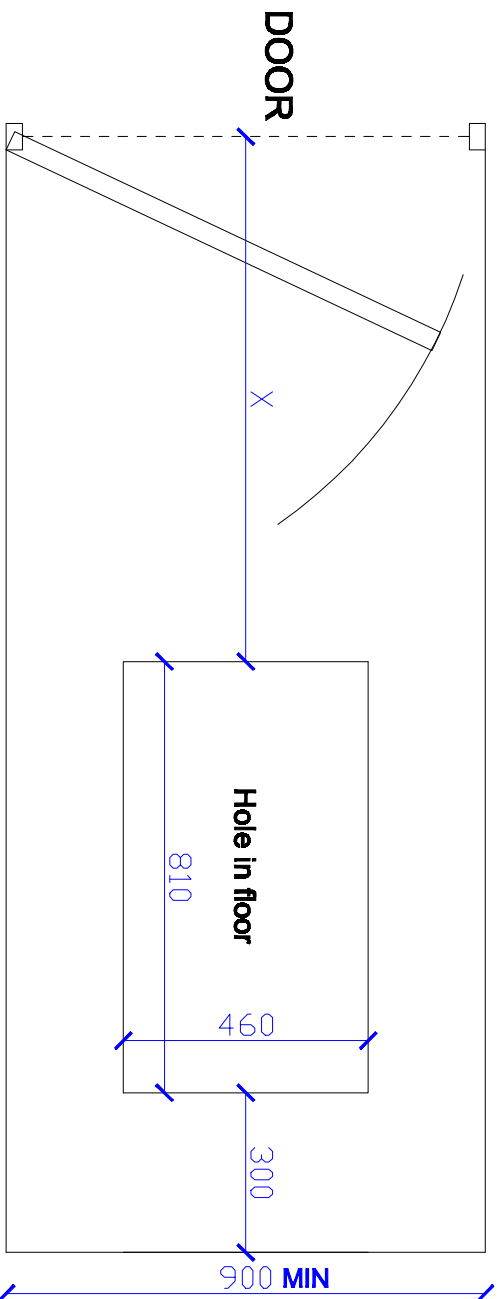
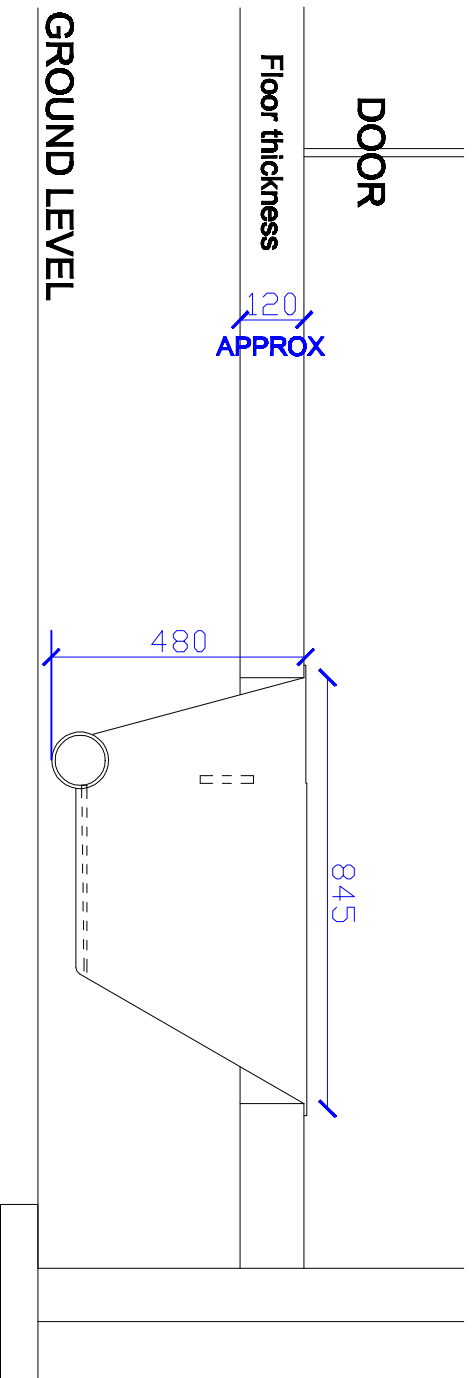



# CUBICLE

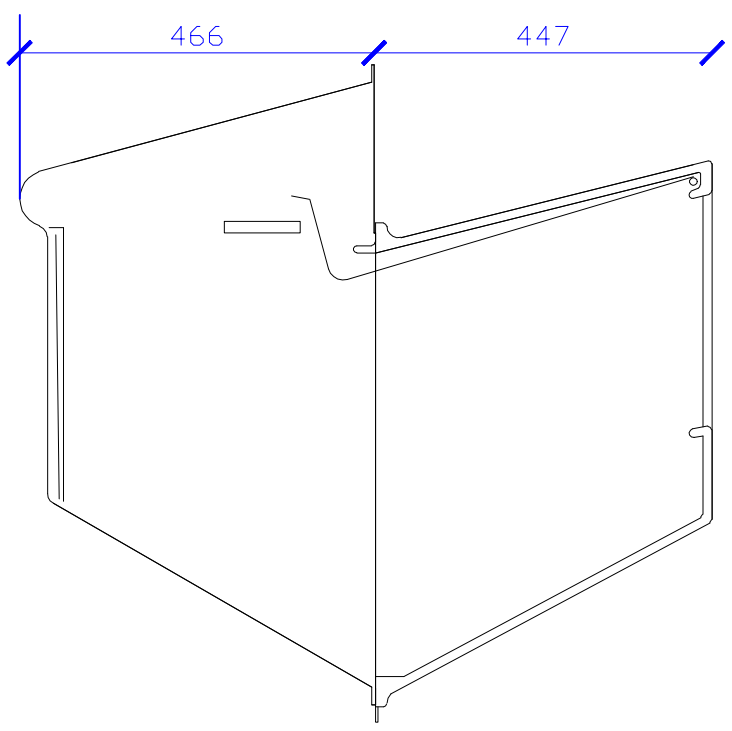
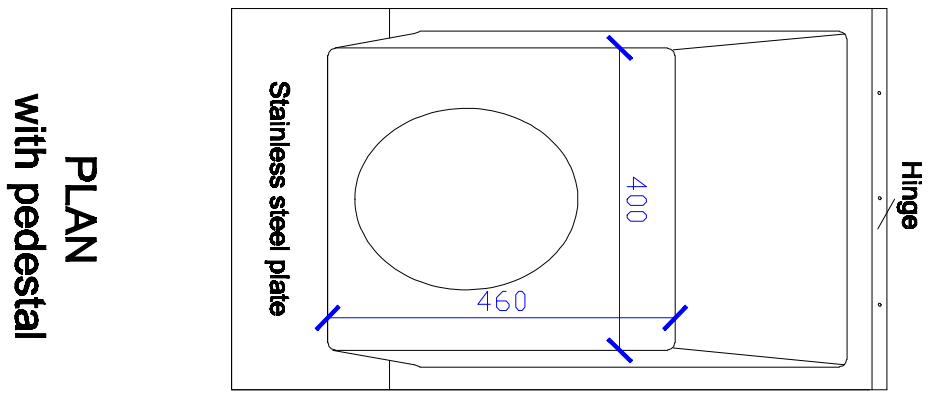
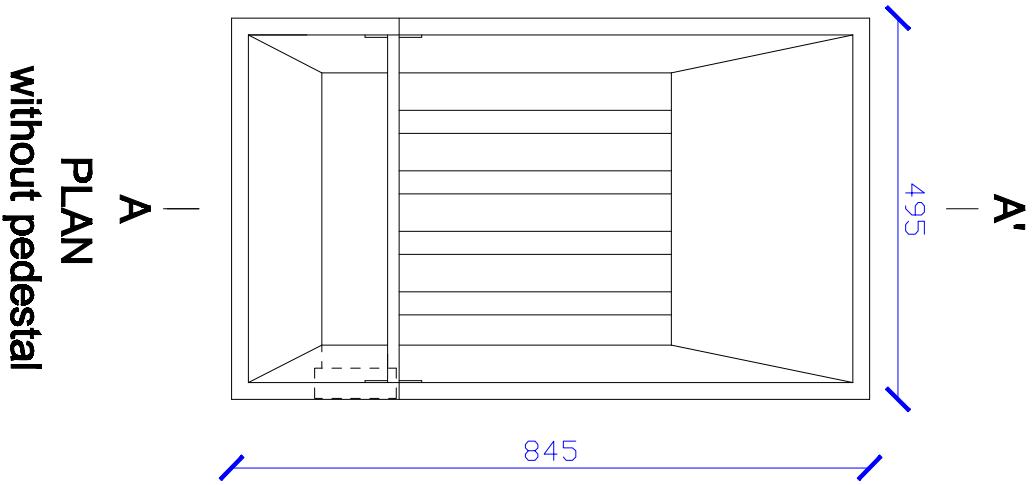


## PLAN


'X' - sufficient clearance for door to open and close.



 THE COMPOST TOILET SPECIALISTS		Compact compost toilet	
		Cubicle	
Date 8.8.08		Scaled to fit	
Drg. No.			
Drm. B.Wade			
Natsol Ltd Tel: 01686 412653 www.natsol.co.uk			



**SECTION A-A'**

 THE COMPOST TOILET SPECIALISTS		Compact compost toilet
		Plan and section
Date 8.8.08	Scale 1:10	
Natsol Ltd Tel: 01686 412653 www.natsol.co.uk		Drg. No. Dm. B.Wade